



Condition Monitoring Custom Products

## CMCP783A Economical Side Entry Accelerometer



### Features:

- Low Cost
- 100mV/g  $\pm 10\%$
- 130° Max Temperature Range
- $\pm 60$  Dynamic Range
- 2 Pin MS 5015 Connector
- 1/4"-28 UNF or M8x1.25 Captive Mounting Bolt
- Sealed to IP68



### Typical Applications

Fans, Motors, Pumps, Compressors, Centrifuges, Conveyors, Air Handlers, Gearboxes, Rolls, Dryers, Presses, Cooling, HVAC, Spindles, Machine Tooling, Process Equipment and many more.

### Technical Performance

Mounted Base Resonance:	27 kHz (nominal)
Sensitivity:	100mV/g $\pm 10\%$ Nominal 80Hz at 22°C
Frequency Response:	1.5 Hz to 10 kHz $\pm 10\%$ (90cpm to 600kcpm)
Isolation:	Base Isolated
Measurement Range:	$\pm 60$ g Peak
Transverse Sensitivity:	Less than 5%

### Electrical

Electrical Noise:	0.1mg max
Current Range:	0.5mA to 8mA
Bias Voltage:	10-12 Vdc
Settling Time:	2 Seconds
Output Impedance:	200 Ohms max.
Case Isolation:	$>10^8$ Ohms at 500 Volts

### Environmental

Operating Temperature Range:	-67 to 266°F (-55 to 130°C)
Sealing:	IP68
Maximum Shock:	5000 g
Approvals:	CE Approved

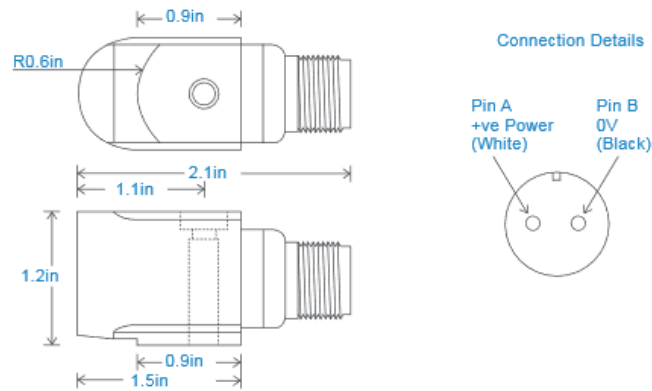
### Mechanical

Case Material:	Stainless Steel
Sensing Element:	PZT/Compression
Mounting Torque:	5.9ft. lbs (8Nm)
Weight:	4.4 Oz (125 grams)
Mating Connector:	2 Pin MIL 5015 MS Connector
Mounting:	
CMCP783A:	1/4"-28 UNF Captive Bolt Supplied with Sensor
CMCP783A-M8:	M8x1.25 Captive Bolt Supplied with Sensor



**Distribuidor Autorizado**  
 contacto@smartcondition.mx  
 www.smartcondition.mx  
 Cel. (493) 106 9062  
 Cel. (493) 114 1974

## Dimensions



## Ordering Information:

CMCP783A Economical Side Entry Accelerometer, 100mV/g with 2 Pin MS 5015, ¼"-28 UNF Mount  
CMCP783A-M8 Economical Side Entry Accelerometer, 100mV/g with 2 Pin MS 5015, M8x1.25 UNF Mount

## Alternative Sensitivity Ordering Information:

CMCP783A-XXX Specify Sensitivity in Place of -XXX  
50mV/g (-050), 250mV/g (-250) and 500mV/g (-500)

## Recommended Cable Assemblies:

General Purpose TPE Jacketed Cable (Rated to 120°C)

CMCP602L Series 2 Socket MS Connector, Locking Collar, IP67  
CMCP602LST Series 2 Socket MS Connector, Push On Seal Tight, IP68

High Temperature FEP Jacketed Cable (Rated to 200°C)

CMCP602H Series 2 Socket MS Connector, Locking Collar, IP67  
CMCP602HST Series 2 Socket MS Connector, Push On Seal Tight, IP68



## Distribuidor Autorizado

contacto@smartcondition.mx  
www.smartcondition.mx  
Cel. (493) 106 9062  
Cel. (493) 114 1974