

CMCP785A**General Purpose Side Entry Accelerometer, 2 Pin MS 5015****Features:**

- General Purpose Side Entry Accelerometer
- 100mV/g $\pm 10\%$
- 140° Max Temperature Range
- $\pm 80g$ Dynamic Range
- 2 Pin MS 5015 Connector
- Class 1 Division 2 Approved
- Class 1 Division 1 Approved with IS Barrier or Isolator
- 1/4"-28 UNF or M8x1.25 Captive Mounting Bolt
- Sealed to IP68

**Typical Applications**

Fans, Motors, Pumps, Compressors, Centrifuges, Conveyors, Air Handlers, Gearboxes, Rolls, Dryers, Presses, Cooling, HVAC, Spindles, Machine Tooling, Process Equipment and many more.

Technical Performance

Mounted Base Resonance:	27 kHz (nominal)
Sensitivity:	100mV/g $\pm 10\%$ Nominal 80Hz at 22°C
Frequency Response:	1.0 Hz to 10 kHz $\pm 10\%$ (60cpm to 600kcpm) 0.8 Hz to 12 kHz $\pm 3dB$ (48cpm to 720kcpm)
Isolation:	Base Isolated
Measurement Range:	$\pm 80 g$
Transverse Sensitivity:	Less than 5%

Electrical

Electrical Noise:	0.1mg max
Current Range:	0.5mA to 8mA
Bias Voltage:	10-12 Vdc
Settling Time:	1.5 Seconds
Output Impedance:	200 Ohms max.
Case Isolation:	$>10^8$ Ohms at 500 Volts

Environmental

Operating Temperature Range:	-67 to 284°F (-55 to 140°C)
Sealing:	IP68
Maximum Shock:	5000 g
Approvals:	CE Approved CSA/UL Class 1 Division 2, Groups B, C and D

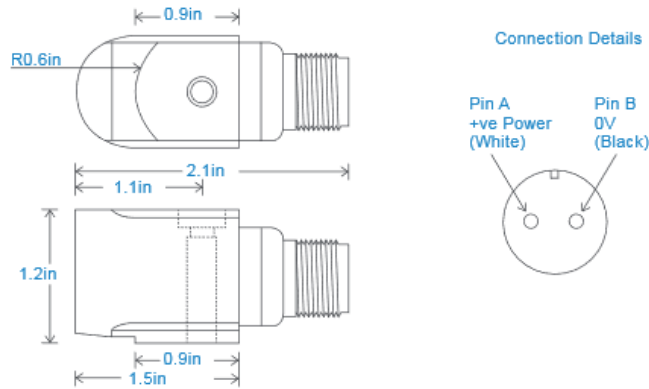
Mechanical

Case Material:	Stainless Steel
Sensing Element:	PZT/Compression
Mounting Torque:	5.9ft. lbs (8Nm)
Weight:	6.5 Oz (185 grams)
Mating Connector:	2 Pin MS 5015
Mounting Thread:	
CMCP785A:	1/4"-28 UNF Captive Bolt Supplied with Sensor
CMCP785A-M8:	M8x1.25 Captive Bolt Supplied with Sensor

Hazardous Location Ratings

Class I, II, III, Division 1 and 2, Groups A-G, T4, -55°C to + 110°C IP65
Class 1, Zone 0, AEx, ia, IIC, T4, Ga, -55°C to + 110°C
Zone 20, AEx, ia, IIIC, T130°C, IP65, Da, -55°C to + 110°C
Class I, II, III, Division 1, 2, Groups A-G, T6, -55°C to + 110°C
Zone 20, AEx, ia, IIIX, T80°C, IP65, DA, -55°C to + 110°C

Dimensions



Ordering Information:

CMCP785A General Purpose Side Entry Accelerometer, 100mV/g, 2 Pin MS 5015, ¼-28 UNF Mount
CMCP785A-M8 General Purpose Side Entry Accelerometer, 100mV/g, 2 Pin MS 5015, M8x1.25 Mount

Alternative Sensitivity Ordering Information:

CMCP785A-XXX Specify Sensitivity in Place of -XXX
50mV/g (-050), 250mV/g (-250) and 500mV/g (-500)

Recommended Cable Assemblies:

General Purpose TPE Jacketed Cable (Rated to 120°C)

CMCP602L Series 2 Socket MS Connector, Locking Collar, IP67
CMCP602LST Series 2 Socket MS Connector, Push On Seal Tight, IP68

High Temperature FEP Jacketed Cable (Rated to 200°C)

CMCP602H Series 2 Socket MS Connector, Locking Collar, IP67
CMCP602HST Series 2 Socket MS Connector, Push On Seal Tight, IP68

Similar Products



Distribuidor Autorizado

contacto@smartcondition.mx
www.smartcondition.mx
Cel. (493) 106 9062
Cel. (493) 114 1974