



CMCP786A

General Purpose Top Entry Accelerometer, 2 Pin MS 5015



Features:

- General Purpose Top Entry Accelerometer
- 100mV/g $\pm 10\%$
- 140°C Max Temperature Range
- $\pm 80g$ Dynamic Range
- 2 Pin MS 5015 Connector
- Class 1 Division 2 Approved
- Class 1 Division 1 Approved with IS Barrier or Isolator
- 1/4"-28 UNF and M8x1.25 Mounting Studs Included
- Sealed to IP68



Typical Applications

Fans, Motors, Pumps, Compressors, Centrifuges, Conveyors, Air Handlers, Gearboxes, Rolls, Dryers, Presses, Cooling, HVAC, Spindles, Machine Tooling, Process Equipment and many more.

Technical Performance

Mounted Base Resonance: 22 kHz (nominal)
 Sensitivity: 100mV/g $\pm 10\%$ Nominal 80Hz at 22°C
 Frequency Response: 1.0 Hz to 10 kHz $\pm 10\%$ (60cpm to 600kcpm)
 0.8 Hz to 12 kHz $\pm 3dB$ (48cpm to 720kcpm)
 Isolation: Base Isolated
 Measurement Range: $\pm 80 g$
 Transverse Sensitivity: Less than 5%

Electrical

Electrical Noise: 0.1mg max
 Current Range: 0.5mA to 8mA
 Bias Voltage: 10-12 Vdc
 Settling Time: 1.5 Second
 Output Impedance: 200 Ohms max.
 Case Isolation: $>10^8$ Ohms at 500 Volts

Environmental

Operating Temperature Range: -67 to 284°F (-55 to 140°C)
 Sealing: IP68
 Maximum Shock: 5000 g
 Approvals: CE Approved
 CSA/UL Class 1 Division 2, Groups B, C and D

Mechanical

Case Material: Stainless Steel
 Sensing Element: PZT/Compression
 Mounting Torque: 5.9ft. lbs (8Nm)
 Weight: 4.9 Oz (139 grams)
 Mating Connector: 2 Pin MS 5015
 Mounting Thread: 1/4-28 UNF and M8x1.25 Mounting Studs Provided



Distribuidor Autorizado
 contacto@smartcondition.mx
 www.smartcondition.mx
 Cel. (493) 106 9062
 Cel. (493) 114 1974

Hazardous Location Ratings

Class I, II, III, Division 1 and 2, Groups A-G, T4, -55°C to + 110°C IP65

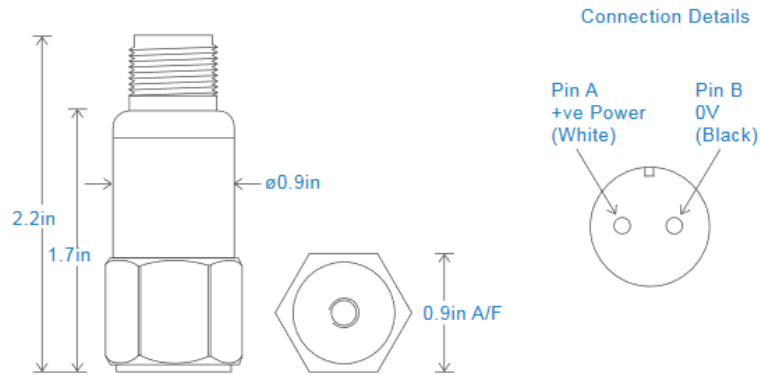
Class 1, Zone 0, AEx, ia, IIC, T4, Ga, -55°C to + 110°C

Zone 20, AEx, ia, IIIC, T130°C, IP65, Da, -55°C to + 110°C

Class I, II, III, Division 1, 2, Groups A-G, T6, -55°C to + 110°C

Zone 20, AEx, ia, IIIX, T80°C, IP65, DA, -55°C to + 110°C

Dimensions



Ordering Information:

CMCP786A General Purpose Top Entry Accelerometer, 100mV/g, 2 Pin MS 5015 Connector

Alternative Sensitivity Ordering Information:

CMCP786A-XXX Specify Sensitivity in Place of -XXX
50mV/g (-050), 250mV/g (-250) and 500mV/g (-500)

Recommended Cable Assemblies:

General Purpose TPE Jacketed Cable (Rated to 120°C)

CMCP602L Series 2 Socket MS Connector, Locking Collar, IP67

CMCP602LST Series 2 Socket MS Connector, Push On Seal Tight, IP68

High Temperature FEP Jacketed Cable (Rated to 200°C)

CMCP602H Series 2 Socket MS Connector, Locking Collar, IP67

CMCP602HST Series 2 Socket MS Connector, Push On Seal Tight, IP68

Similar Products



M12 Connector
CMCP786A-M12



Submersible
CMCP786A-IP



Integral Armored Cable
CMCP786A-I



Distribuidor Autorizado

contacto@smartcondition.mx

www.smartcondition.mx

Cel. (493) 106 9062

Cel. (493) 114 1974