



Condition Monitoring Custom Products

# CMCP788A Precision Output Top Exit Accelerometer, 2 Pin MS 5015



### Features:

- Precision Top Entry Accelerometer
- 100mV/g  $\pm 5\%$
- 150°C Max Temperature Range
- $\pm 80g$  Dynamic Range
- 2 Pin MS 5015 Connector
- Class 1 Division 2 Approved
- Class 1 Division 1 Approved with IS Barrier or Isolator
- 1/4"-28 UNF and M8x1.25 Mounting Studs Provided
- Sealed to IP68



### Typical Applications

Fans, Motors, Pumps, Compressors, Centrifuges, Conveyors, Air Handlers, Gearboxes, Rolls, Dryers, Presses, Cooling, HVAC, Spindles, Machine Tooling, Process Equipment and many more.

### Technical Performance

Mounted Base Resonance:	22 kHz (nominal)
Sensitivity:	100mV/g $\pm 5\%$ Nominal 80Hz at 22°C
Frequency Response:	1.5 Hz to 12 kHz $\pm 5\%$ (90cpm to 720kcpm) 1.0 Hz to 13 kHz $\pm 10\%$ (60cpm to 780kcpm) 0.8 Hz to 15 kHz $\pm 3dB$ (48cpm to 900kcpm)
Isolation:	Base Isolated
Measurement Range:	$\pm 80 g$
Transverse Sensitivity:	Less than 5%

### Electrical

Electrical Noise:	0.1mg max
Current Range:	0.5mA to 8mA
Bias Voltage:	10-12 Vdc
Settling Time:	1 Second
Output Impedance:	200 Ohms max.
Case Isolation:	$>10^8$ Ohms at 500 Volts

### Environmental

Operating Temperature Range:	-67 to 302°F (-55 to 150°C)
Sealing:	IP68
Maximum Shock:	5000 g
Approvals:	CE Approved CSA/UL Class 1 Division 2, Groups B, C and D
Radiation Exposure Limit:	$10^7$ RADs for 10 Years

### Mechanical

Case Material:	Stainless Steel
Sensing Element:	PZT/Shear
Mounting Torque:	5.9ft. lbs (8Nm)
Weight:	4.9 Oz (139 grams)
Mating Connector:	2 Pin MS 5015
Mounting Thread:	1/4"-28 UNF and M8x1.25 Mounting Studs Provided



**Distribuidor Autorizado**  
contacto@smartcondition.mx  
www.smartcondition.mx  
Cel. (493) 106 9062  
Cel. (493) 114 1974

## Hazardous Location Ratings

Class I, II, III, Division 1 and 2, Groups A-G, T4, -55°C to + 110°C IP65

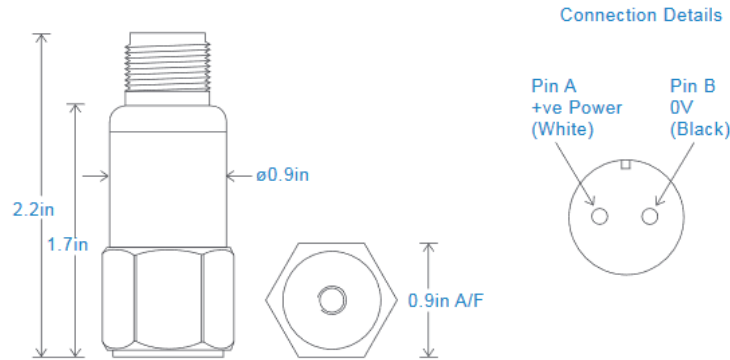
Class 1, Zone 0, AEx, ia, IIC, T4, Ga, -55°C to + 110°C

Zone 20, AEx, ia, IIIC, T130°C, IP65, Da, -55°C to + 110°C

Class I, II, III, Division 1, 2, Groups A-G, T6, -55°C to + 110°C

Zone 20, AEx, ia, IIIX, T80°C, IP65, DA, -55°C to + 110°C

## Dimensions



## Ordering Information:

CMCP788A Precision Top Entry Accelerometer, 100mV/g, 2 Pin MS 5015 Connector

## Alternative Sensitivity Ordering Information:

CMCP788A-XXX Specify Sensitivity in Place of -XXX  
50mV/g (-050), 250mV/g (-250) and 500mV/g (-500)

## Recommended Cable Assemblies:

General Purpose TPE Jacketed Cable (Rated to 120°C)

CMCP602L Series 2 Socket MS Connector, Locking Collar, IP67

CMCP602LST Series 2 Socket MS Connector, Push On Seal Tight, IP68

High Temperature FEP Jacketed Cable (Rated to 200°C)

CMCP602H Series 2 Socket MS Connector, Locking Collar, IP67

CMCP602HST Series 2 Socket MS Connector, Push On Seal Tight, IP68

## Similar Products



**M12 Connector**  
CMCP788A-M12



**Submersible**  
CMCP788A-IP



**Integral Armored Cable**  
CMCP788A-I

**Smart  
Condition**

## Distribuidor Autorizado

contacto@smartcondition.mx

www.smartcondition.mx

Cel. (493) 106 9062

Cel. (493) 114 1974